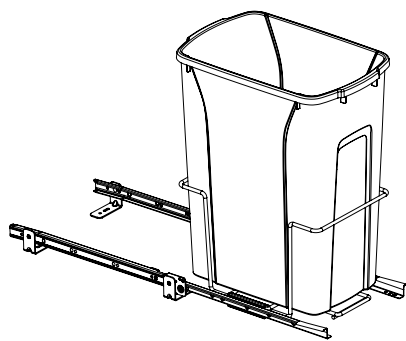


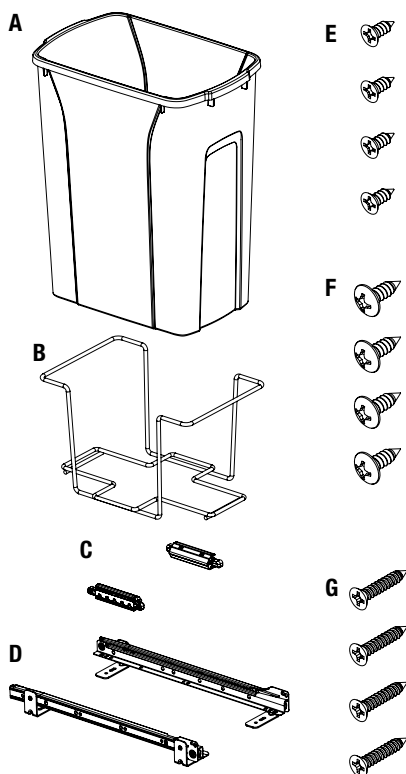
# Pull-Out Waste Bin Installation Instructions

Inspect all parts and read all instructions prior to beginning assembly and installation.



## Parts Included

- A Waste Bin (1)
- B Wire Cage (1)
- C Cage Mounting Clips (2)
- D Slide Assemblies (2)
- E #6 x 3/8 Large Mounting Screws
- F #8 x 1/2" Mounting Screws for Slide Assemblies (4)
- G 6 x 3/4" Cage Clip Screws (4)
- H Installation Template (not shown)



## Tools Required

- Phillips head screwdriver
- Drill with 1/16" (1.5mm) bit for drilling pilot holes
- Pencil

## Product Assemblies

ECW9-1-20  
ECW10-1-35



KNAPE & VOGT.

2700 Oak Industrial Drive NE, Grand Rapids, MI 49505 USA  
800.253.1561 • 616.459.3311 • www.kv.com

1. Place installation template on cabinet floor. Drill 4 holes at locations shown on template with 1/16" drill bit. Once the position is determined, fasten the sliding base assemblies to the cabinet floor by using 2 – #8 x 1/2" mounting screws for each slide assembly shown in image 1 below. Tighten with a Phillips head screwdriver.
2. Fully extend slides out of cabinet and then install 1/ea cage mounting clip bottom onto each slide by fastening with 2 – #6 x 3/8" cage mounting screws as shown in images 2a and 2b below.
3. Place wire cage on top of the cage mounting clip bottoms as shown in image 3 below. Then install each cage mounting clip tops with 2 – #6 x 3/4" cage clip screws as shown in image 4 below.
4. With slides fully extended insert the bin into the cage.

